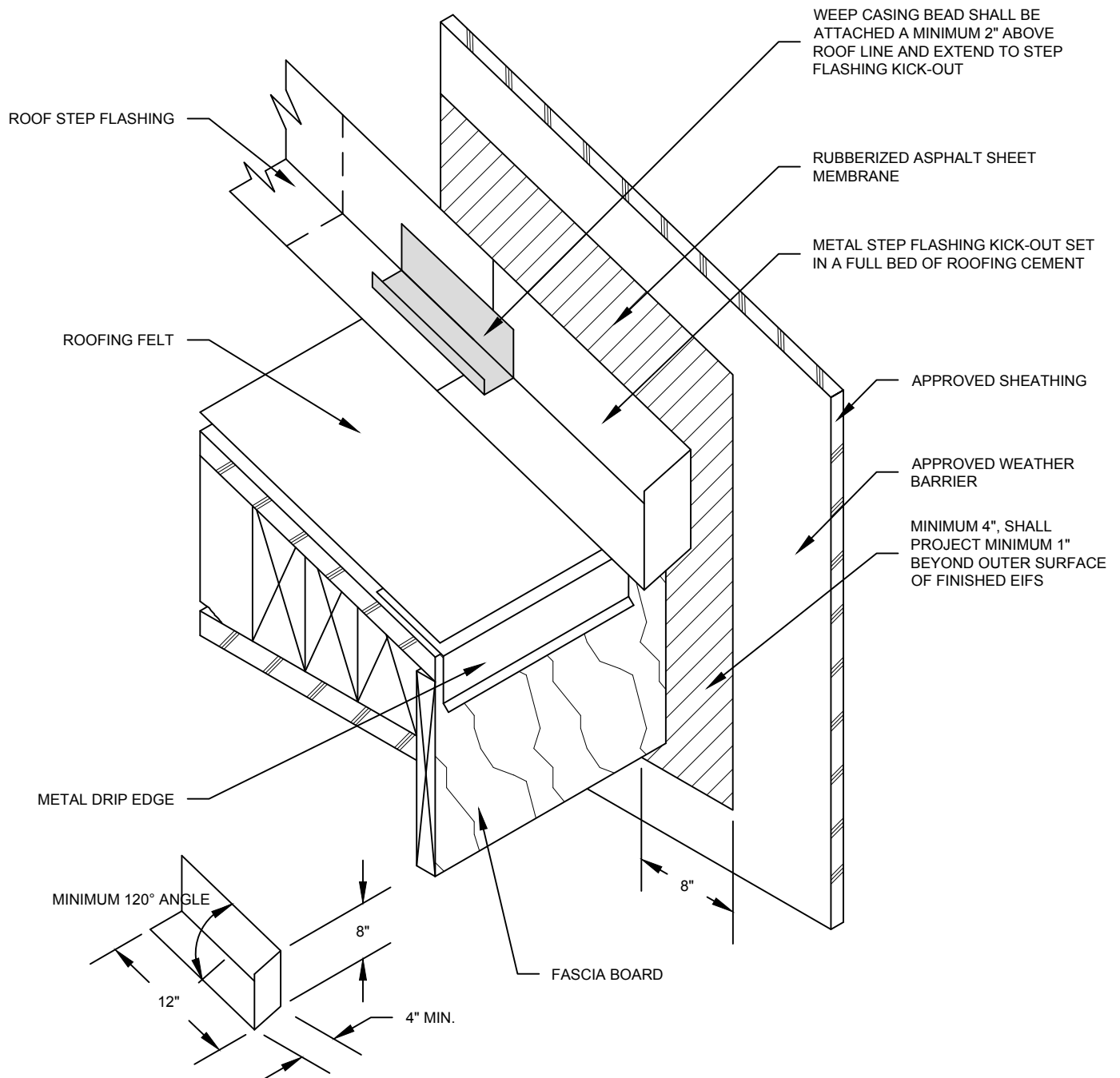


KICK OUT FLASHING AT ROOF / WALL TERMINATION

WM-RA 4.5



1. THE 'KICK-OUT' DIVERTER FLASHING MUST BE INSTALLED PRIOR TO INSTALLING THE WATER MANAGED EIFS SYSTEM.
2. DO NOT INSTALL THE OUTER SYSTEM UNTIL THE WATER MANAGED EIFS SYSTEM HAS BEEN COMPLETED.